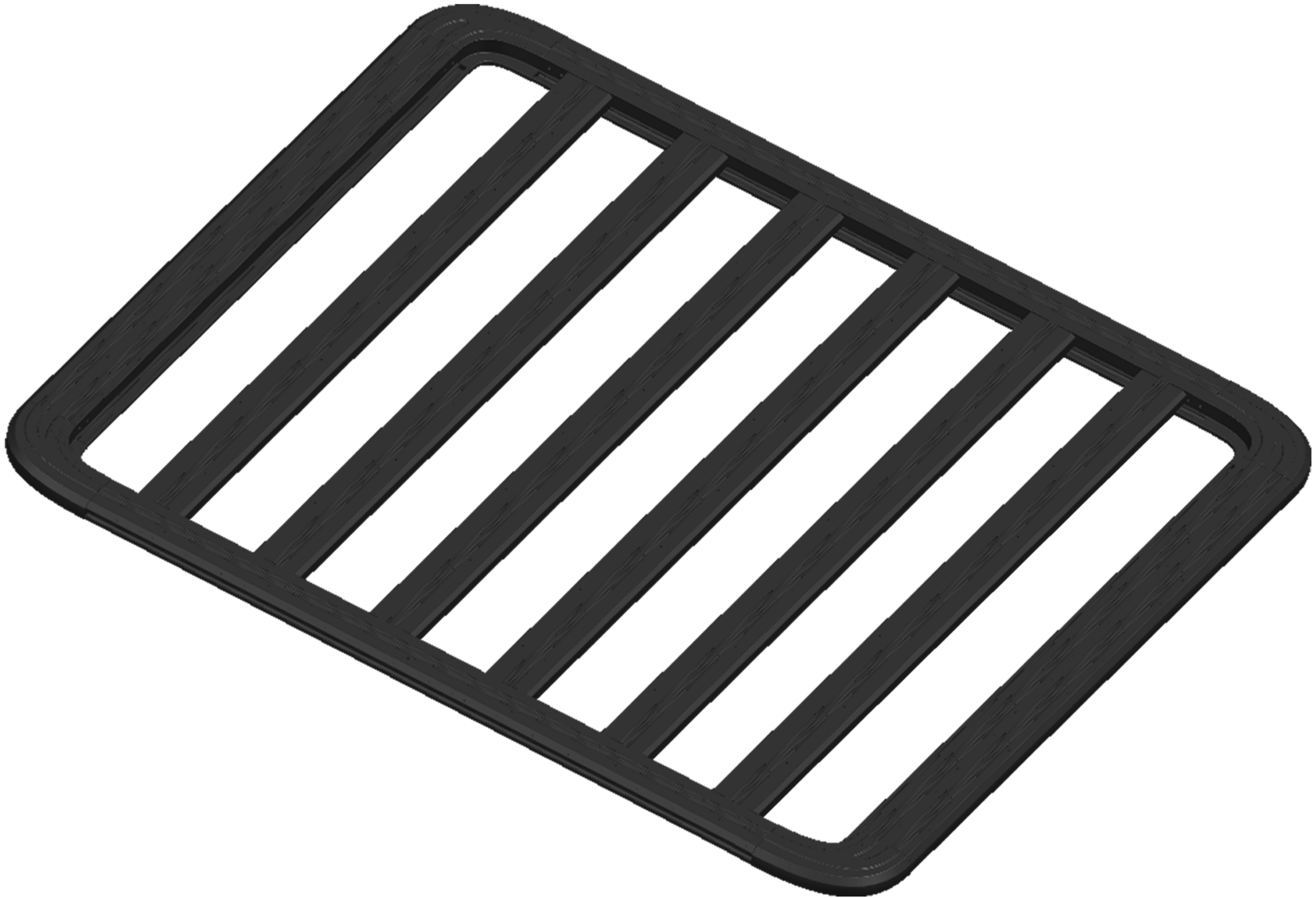




# YH20 ROOF PLATFORM OF WRANGER JL INSTALLATION INSTRUCTIONS



## READ ME !

Thank you for purchasing a YH20 roof platform.  
Before you start, take a moment to familiarize yourself  
with the FittingInstructions and the components received.  
Refer to Page 2 for a list of all the components, quantities and tools required.

## IMPORTANT WARNING!

IT IS CRITICAL THAT ALL PRODUCTS BE PROPERLY AND SECURELY ASSEMBLED AND ATTACHED TO YOUR VEHICLE. IMPROPER ATTACHMENT COULD RESULT IN AN AUTOMOBILE ACCIDENT, AND COULD CAUSE SERIOUS BODILY INJURY OR DEATH. YOU ARE RESPONSIBLE FOR ASSEMBLING AND SECURING ALL FRONT RUNNER PRODUCTS TO YOUR VEHICLE, CHECKING THE ATTACHMENTS PRIOR TO USE, AND PERIODICALLY INSPECTING THE PRODUCTS FOR ADJUSTMENT, WEAR AND DAMAGE. THEREFORE, YOU MUST READ AND UNDERSTAND ALL OF THE INSTRUCTIONS AND PRECAUTIONS SUPPLIED WITH YOUR PRODUCT PRIOR TO INSTALLATION OR USE. IF YOU DO NOT UNDERSTAND ALL OF THE INSTRUCTIONS AND CAUTIONS, OR IF YOU HAVE NO MECHANICAL EXPERIENCE AND ARE NOT THOROUGHLY FAMILIAR WITH THE INSTALLATION PROCEDURES, YOU SHOULD HAVE THE PRODUCT INSTALLED BY A PROFESSIONAL INSTALLER OR OTHER QUALIFIED PERSONNEL.

NOTE: we will not be responsible for any damage caused by the failure to install the product according to these instructions.  
Please call us if you have any questions about the installation of this product.

# 1 GET ORGANIZED

Depending on which size yh20 platform you order, quantities may vary from those pictured.

Here is what you are looking at for:

PARTS LIST		
1	2 X	front&rear profile
2	2 X	side profile
3	6 X	standard flat
4	4 X	corner L&R
5	16 X	torx screws M6*14
6	12 X	square nut M6-15*12*6
7	12 X	plant 6*14*1
8	12 X	torx screws M6*10
9	14 X	rubber
10	6 X	triangular ring nut M8
11	6 X	double plant 8*16*2
12	6 X	square screws M8*30--35*15

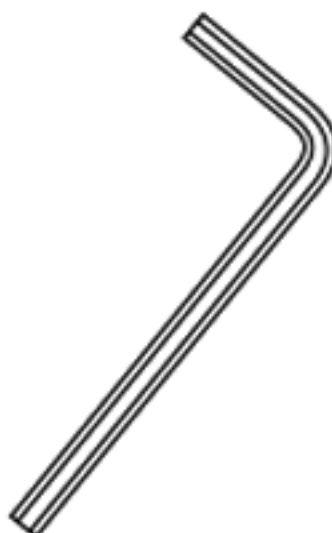
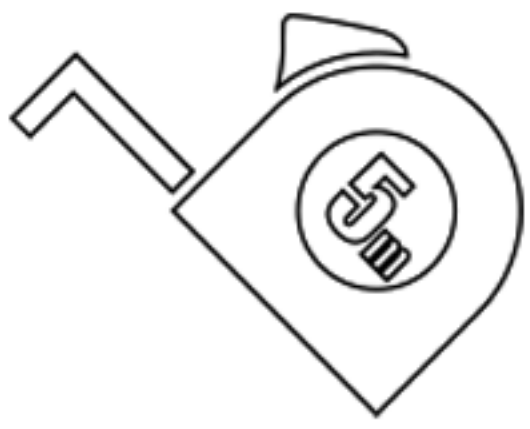
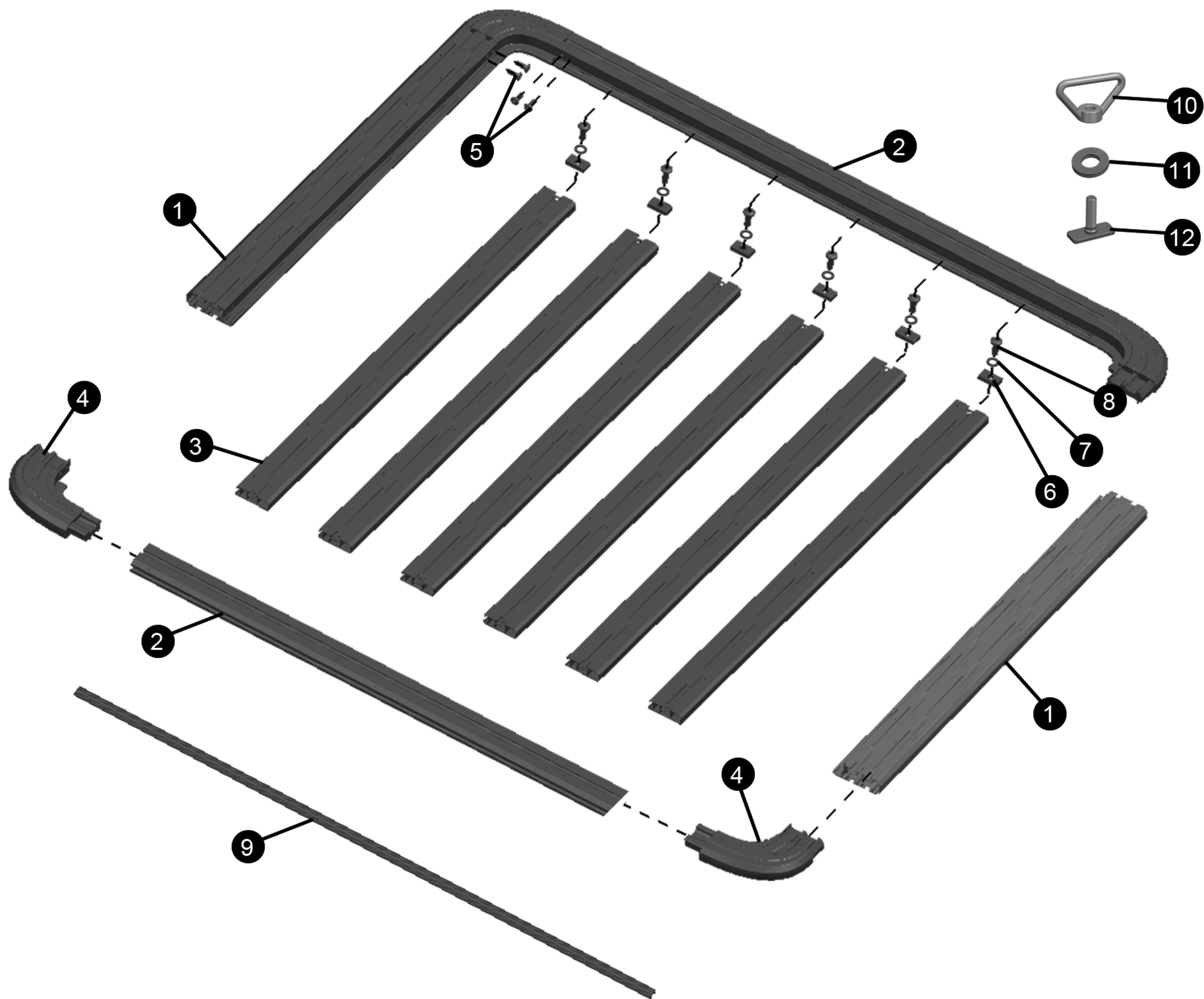
TOOLS LIST	
	TORX T30
	

FIGURE  
1.1

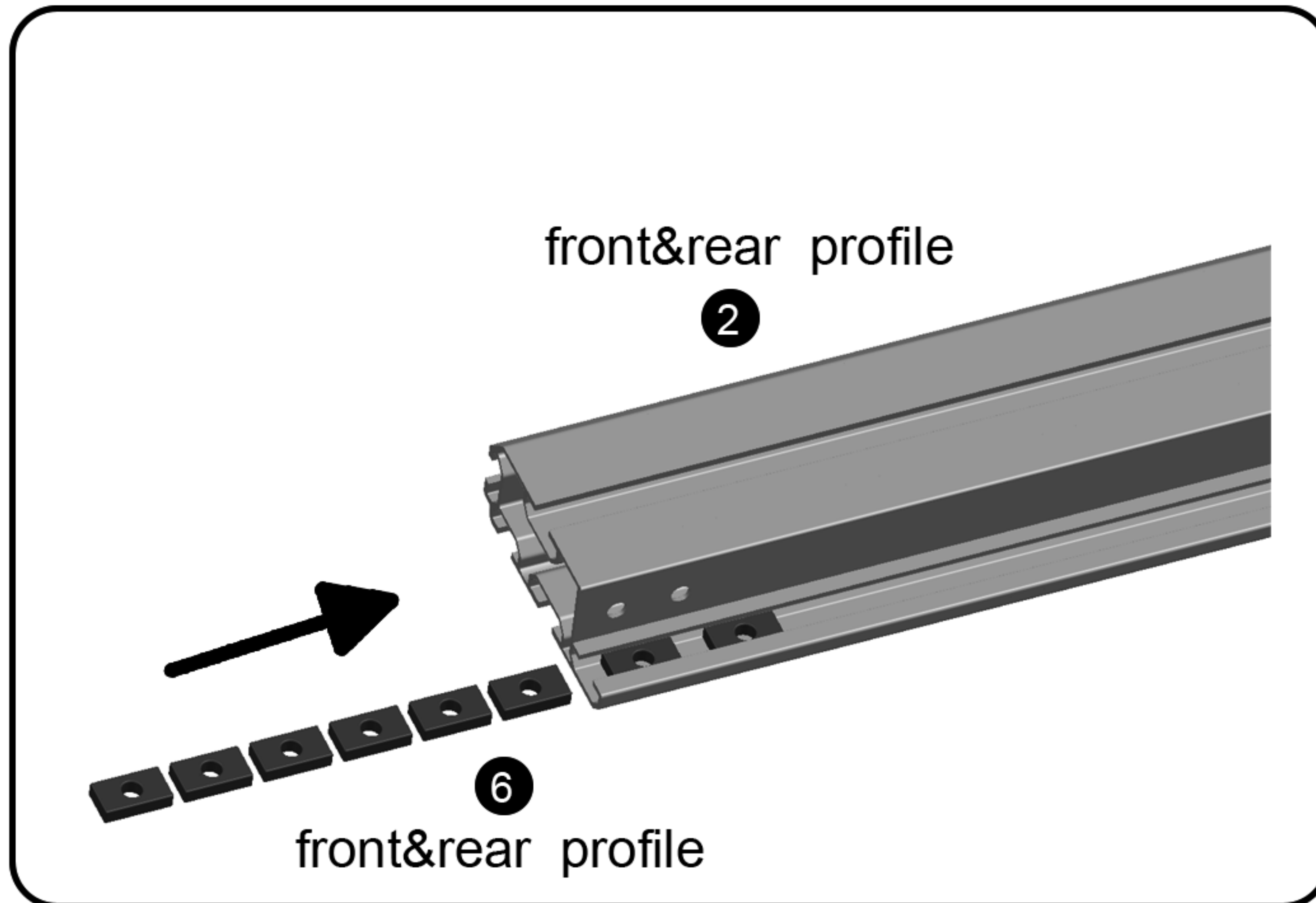


# 1

## RACK ASSEMBLY

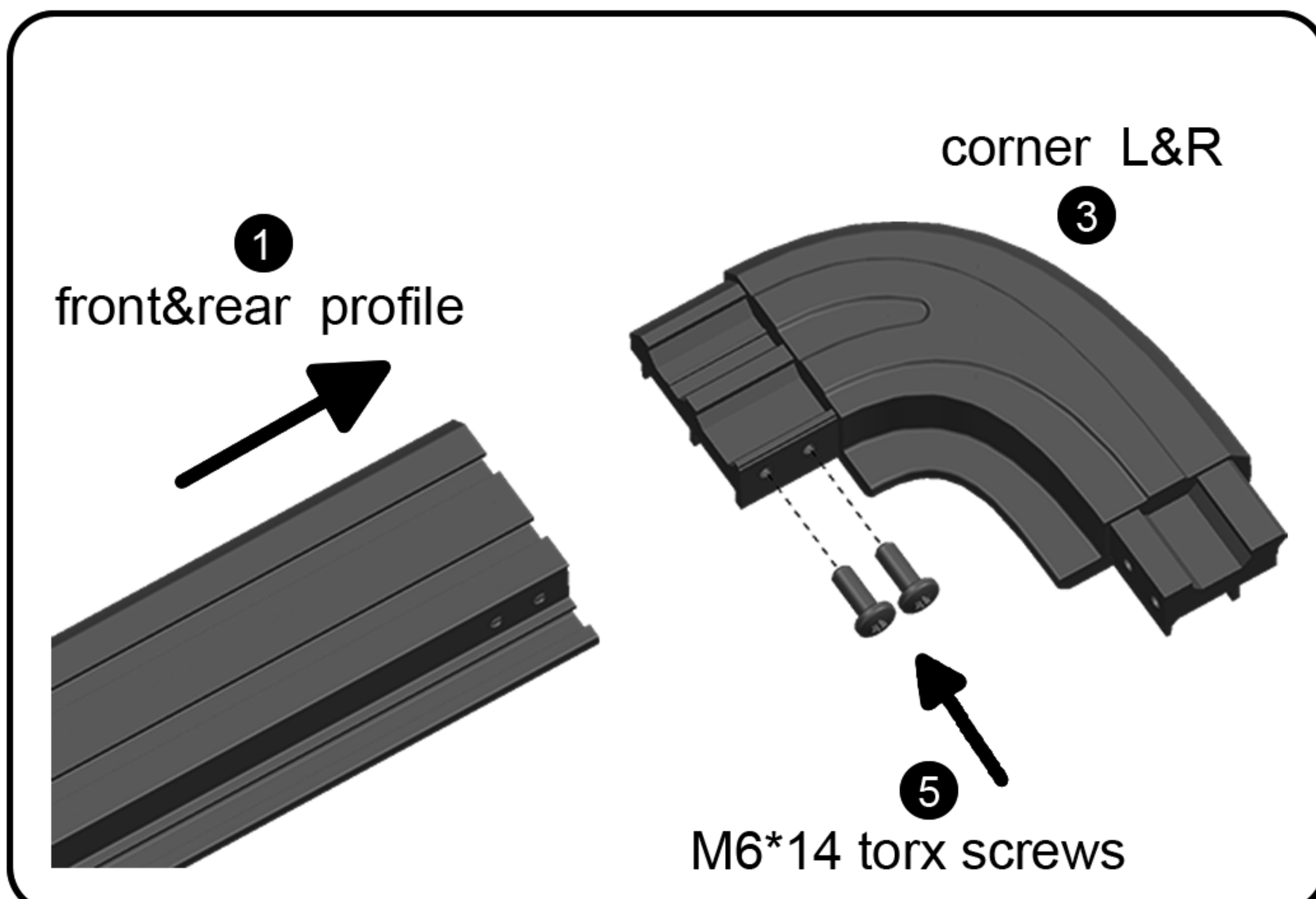
you have received four lengths of Side Profile,  
you will need to join the pieces together using the Joiners

FIGURE  
2.1



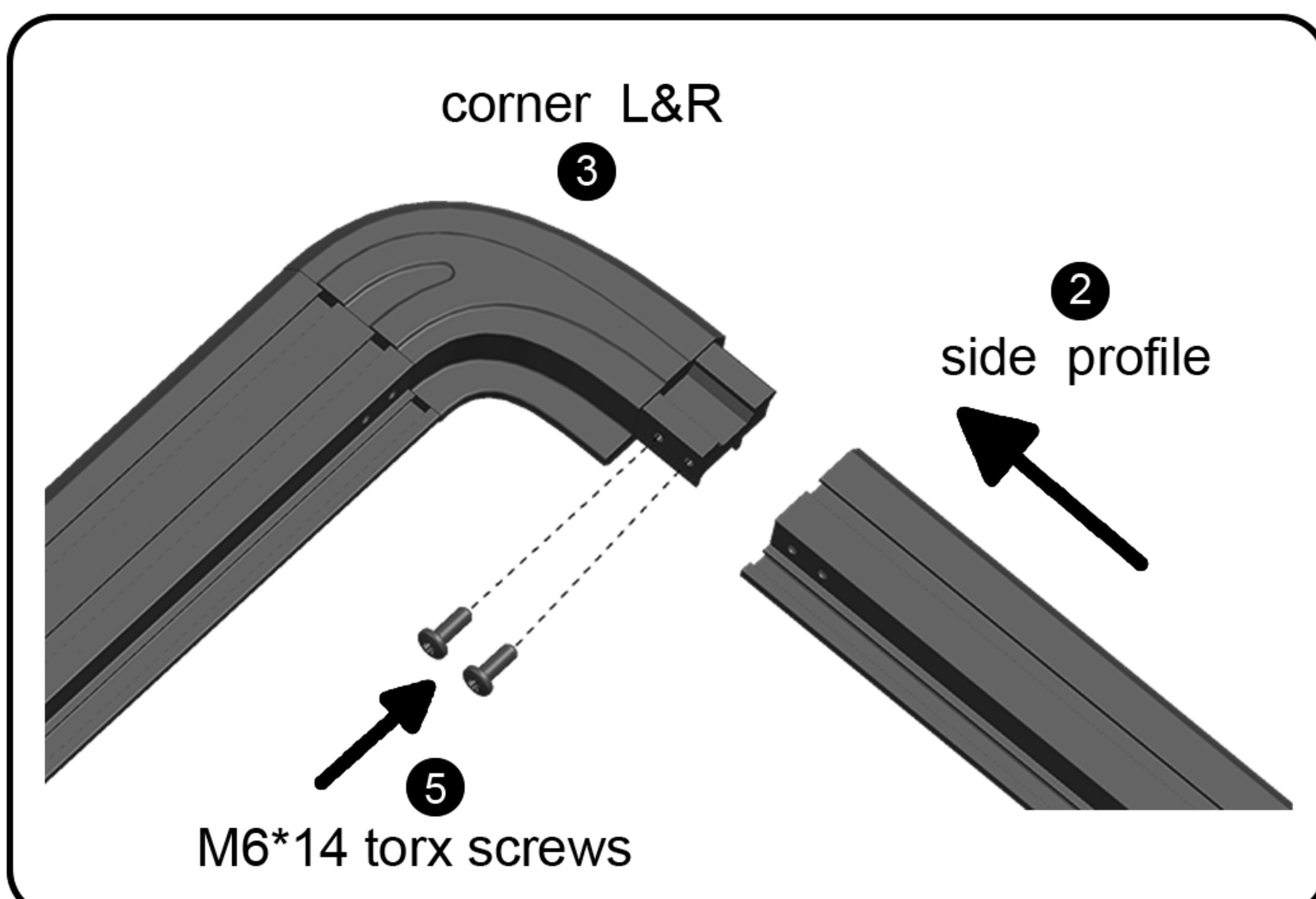
Match the number of standard flat , and then insert the square nuts with the same number as the standard Flat into the chute of the side profile.

FIGURE  
2.2



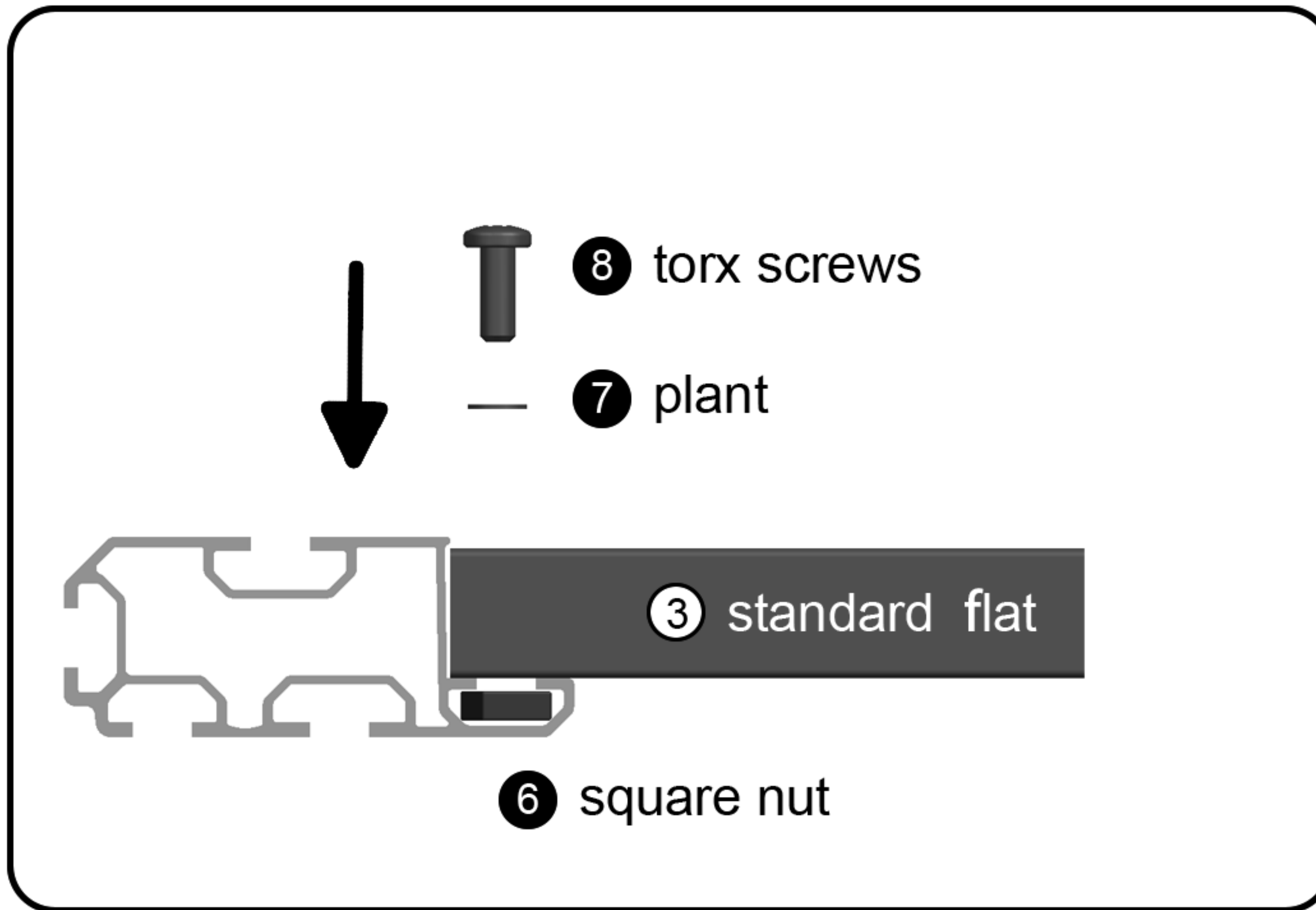
Insert the corner into the front&rear profiles and screw in the Torx screws.

FIGURE  
2.3



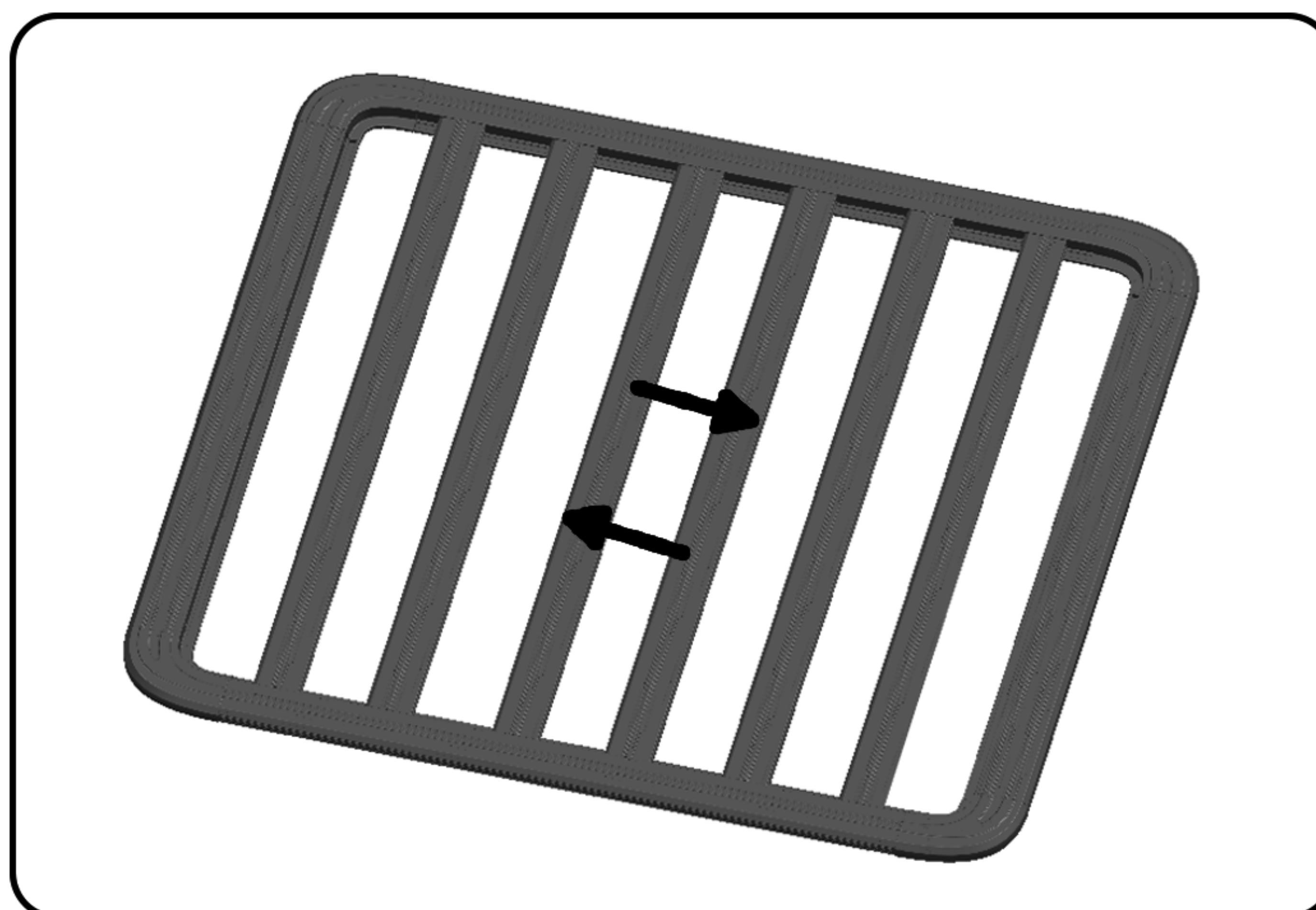
Insert the corner into the side profiles and screw in the Torx screws.

FIGURE  
3.1



Place the standard flat on the side profile, and use screws and square nuts to lock the standard flat on the side profile.

FIGURE  
3.2



Adjust the position of the standard flat according to the use demand

- Now that your YH20 roof platform Tray is assembled, get your RackKit Installation Guide out and follow the instructions to fit the platform to your specific vehicle.
- The maximum load that can be placed on the roof luggage frame is 175 kg.
- The vehicle speed shall not exceed 130 km/h when the roof luggage frame is installed.
- But in order to maintain full functionality of the rack slots and any moving parts, you may want to give your gear a bath now and again